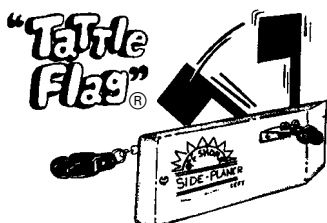




"The Original"

OR12TF Tattle Flag Upgrade Kit

"YOUR LEADER IN TROLLING TECHNOLOGY"



...FLAG DOWN? ...FISH ON! ...

The Tattle Flag System was designed for light striking fish such as Walleye, Crappie, etc... only!

Often Imitated-Never Duplicated



OR12TF Contains:

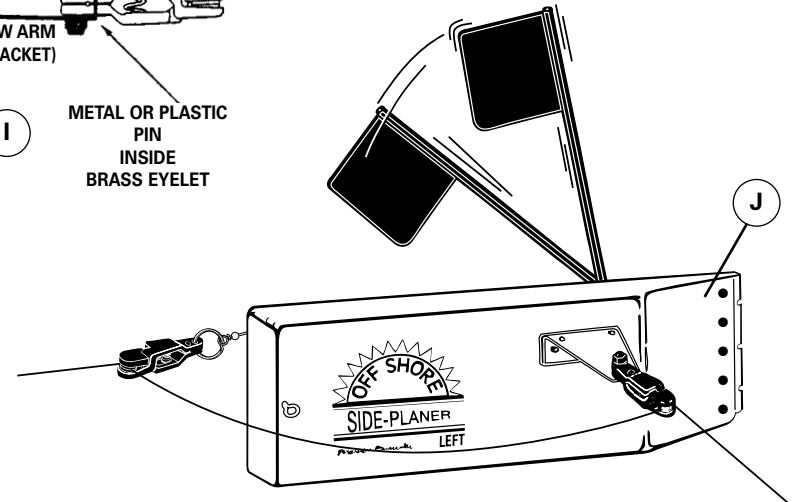
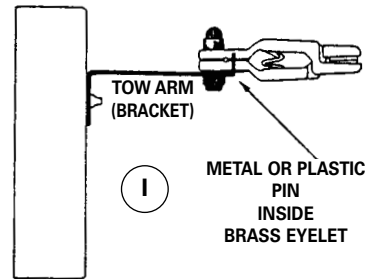
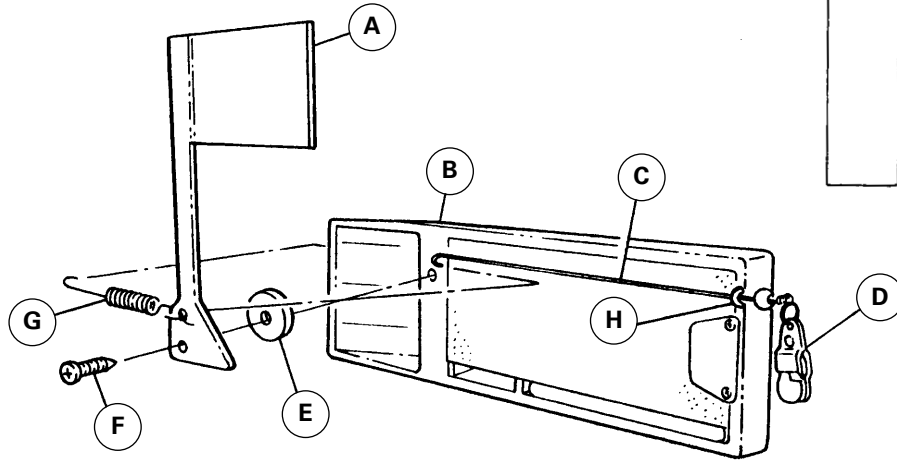
- | | |
|--------------|--------------|
| 2 OR16 Clips | 1 Split Ring |
| 1 Spring | 1 Flag |
| 1 Screw Eye | 1 Wire |
| 1 6/32 Screw | 1 Washer |

(Unfold this sheet for Installation Instructions and some Helpful Hints!)

This kit will upgrade 1 Off Shore Tackle OR12 Side Planer.



Installation Instructions:
Please read each step thoroughly
before you attempt to put the parts on.



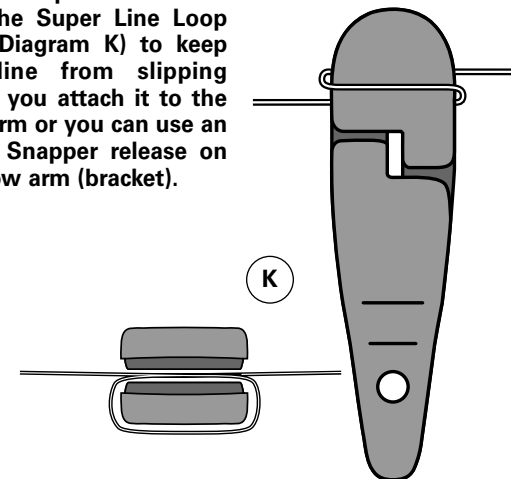
1. Remove the existing flag and releases from the board.
2. Install the screw eye (H) into the hole located 3/8" down from the top of the board and 1/4" in from the back of the board. If you have an older board, you will need to drill a 1/16" hole yourself, drilling halfway through the back of the board.
3. Insert the wire (C) through the screw eye and put the hook end of the wire through the hole in the flag (A) and use pliers to bend the end of the wire around the flag. **Note: The stem of the flag should be towards the nose of the board and the flag part should point towards the rear of the board.** The wire (C) should now be between the board (B) and the flag (A).
4. Place the washer (E) between the board (B) and the flag (A). With the 6/32 screw (F) attach the flag and washer to the board — **DO NOT OVER TIGHTEN THE SCREW, THIS WILL BIND THE FLAG AND IT WILL NOT WORK PROPERLY.** The flag must be able to move freely.
5. With the flag (A) standing straight up, place the round end of the spring (G) in the same hole as the wire (C) coming through the back of the flag. **Use pliers to bend the round end of the spring around the flag (this will help to reduce losing the spring).**
6. Place the angled end of the spring (G) into one of the predrilled holes in the nose of the board. If you have an older board, you can drill 1/16" holes along the nose as shown in Diagram J. **Note: The spring may be able to come off of the board, be careful so you don't lose it.**
7. Attach one of the red OR16 (D) clips to the split ring provided and then attach the split ring through the loop on the wire (C) located at the back of the board.
8. Attach the other red OR16 clip onto the bracket. Hand tighten the screw until the metal or plastic pin on the tow arm is secured inside the brass eyelet on the OR16 clip (See Diagram I). **Note: Check tightness prior to setting the board out each time. You can purchase a lock nut to use in place of the nylon nut at your local hardware store if you prefer.**
9. With the upgrade flag kit properly installed, be sure to **always leave 3" - 4" of slack in the line between the two OR16 clips.** **Note: If no slack is present the flag can't be pulled down.** Be sure to place the line behind the pin protruding through the center of the pad of each OR16 clip — this will insure that the clips will not be pulled off of the line.

Helpful Hints

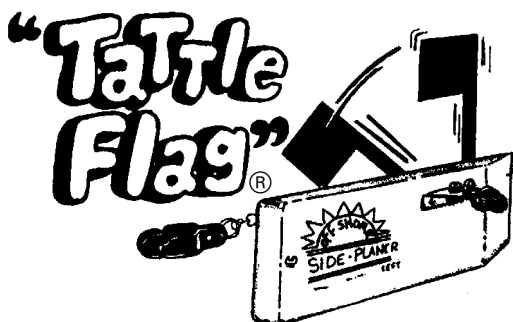
Once the upgrade has been properly installed, now you can go to work at fine-tuning the spring tension for your speed, type of lure, and water conditions.

The stronger the tension desired, the farther down on the nose you connect the spring. The best sensitivity is to adjust the spring so that the flag is at a 10 to 15 degree tilt.

Another tip would be to use the Super Line Loop (See Diagram K) to keep the line from slipping when you attach it to the tow arm or you can use an OR18 Snapper release on the tow arm (bracket).



UNFOLD THIS SHEET FOR INSTRUCTIONS!



...FLAG DOWN? ...FISH ON! ...

This kit, when properly installed on an Off Shore Tackle Company LLC OR12 Side Planer, will give you a spring loaded flag that will be pulled down when a fish strikes the lure. In addition, it will enable the angler to "read" the board and determine whether it is running correctly, fouled with weeds, or even if the angler is towing a small fish. This will allow more productive use of your time on the water!

The Tattle Flag System was designed for light striking fish.

For more information on
Off Shore Tackle Company LLC
products, please visit our website at:
www.offshoretackle.com

Part #OR12TF



0 23072 12298 2