



THE ORIGINAL — Don't Be Fooled By Imitations • "Often Imitated, Never Duplicated!"



OR37L SST PRO MAG PLANER, YELLOW



The SST Pro Mag Planer is designed to carry large, heavy baits further to the side than any other in line planer! Perfect for long copper and lead core lines as well as oversized baits used for Striper, Salmon, Trout, Muskie and Walleye. The SST Pro Mag Planer was designed to be correctly balanced for pulling heavy weights, no modifications or additions are needed! The OR16 (red) clip on the tail of the board ensures that your board will stay on your fishing line. Make sure to place your line behind its center pin as indicated.

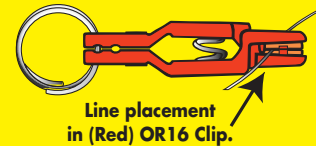
OR18
Snapper Release
comes as
Standard Equipment
on this Planer!



This Package Includes:

One each of the following:

Yellow SST Pro Mag Planer with Stationary Flag
OR18 Release (black) with Lock Nut,
OR16 Clip (red) with Split Ring
and Instructions.



Line placement
in (Red) OR16 Clip.

OR37L



LEFT

For more tips and information go to **offshoretackle.com**

"Your Leader In Trolling Technology" • Made in the U.S.A.

WARNING: This product contains less than 1% lead, a chemical known to cause cancer, birth defects, and other reproductive harm. Wash your hands after handling this product.



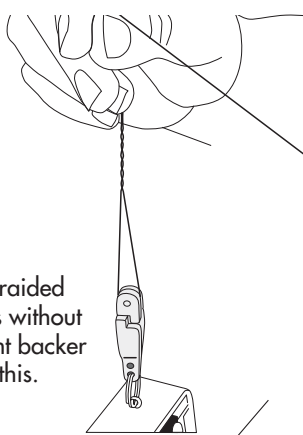
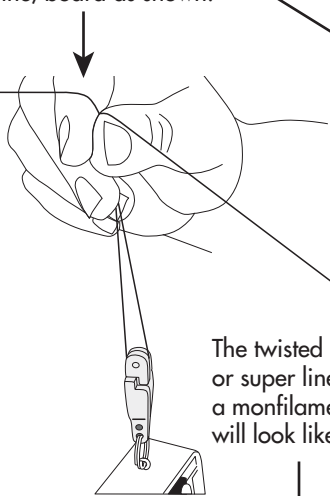
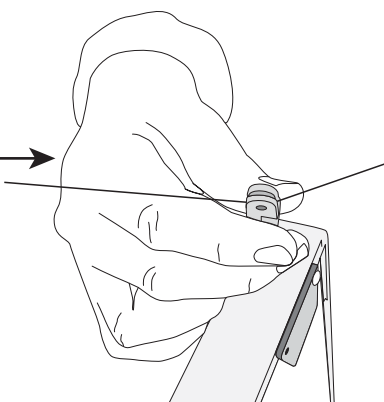
More instructions on reverse side.

ASSEMBLING AND USING THE BOARD:

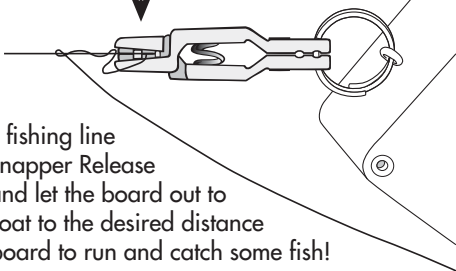
After removing the board from the package, correctly position the OR18 Snapper Release on the bracket, by loosening the lock nut on the 6/32 screw and pivot the OR18 (black) release into position. Make sure that the plastic pin on the bracket is secured into the hole in front of the 6/32 screw of the OR18 then tighten the lock nut back onto the 6/32 screw.

Place fishing line behind the pin protruding through the center of the OR16 (red) clip as shown on reverse side.

When using braided or super lines without a monofilament backer, make sure to twist the line by grabbing fishing line and twisting the line/board as shown.



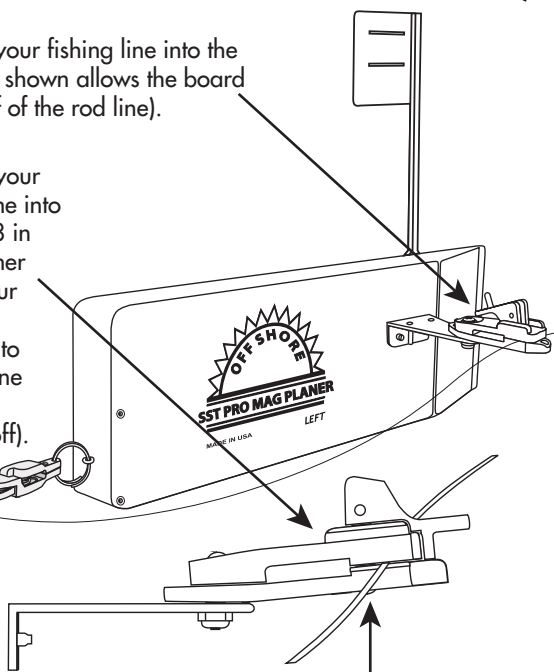
The twisted braided or super lines without a monofilament backer will look like this.



Then place your fishing line into the OR18 Snapper Release on the bracket and let the board out to the side of the boat to the desired distance you want your board to run and catch some fish!

(Placing your fishing line into the OR18 as shown allows the board to trip off of the rod line).

(Placing your fishing line into the OR18 in this manner keeps your board attached to the rod line without coming off).



Note: To hold some lines, the tension of the OR18 may need to be adjusted. To increase tension, slightly turn the screw on the bottom of the OR18 clockwise. Small increments can make a big difference; do not over tighten.

All information available 24/7 on our website at

www.offshoretackle.com